

Si-30

PISTON PUMP



Powerful, the Si-30 is suitable for any air conditioner up to 20 kW. Specifically designed for condensates, the Si-30 is fully reliable, in any kind of environment. Respecting comfort, the Si-30 stays silent whatever the volume of condensates to remove.

BENEFITS



- **Sauerermann inside : new piston technology, patented**

- Power increased : a single reference, suitable for any air conditioner, up to 20 kW
- Resistant to pollutions: particles, hairspray, etc.
- High reliability



- **Silence : 20 dBA**

Whatever power of the appliance or volume of condensates to remove, the pump has a constant silence operation, 20 dBA only (tested by the French National Metrology and Test Laboratory, in accordance with EN ISO 3744).



- **Easy assembly, in any place**

- Compact size
- « 3 in 1 » mounting bracket: to allow wall mounting, mounting on pipe, or hanging.
- Plug in electrical connection

- **Energy saving**

Thanks to high flow rate, operation time reduced and electricity consumption reduced.

- **Low maintenance**

Detection unit equipped with a comb to trap large particles

KIT CONTENTS



- Piston pump
- Anti-vibration mounting bracket
- Plug in power cable with plug and alarm (1,5 m)
- 6 tie wraps, 2.5 x 100mm
- Detection unit (SI2958, 1.5m cable)
- Detection unit installation kit: rubber elbow 90° Øint.15 x L 60mm, vent tube 75 mm Ø 4 mm ID, mounting rail, adhesive.

APPLICATIONS

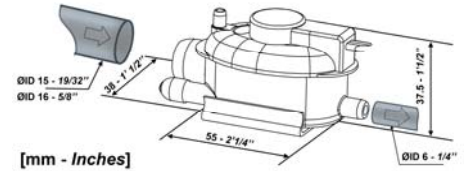
Any air conditioner, up to 20 kW :

- Wall mounted air conditioners
- Ceiling suspended units
- Ducted units

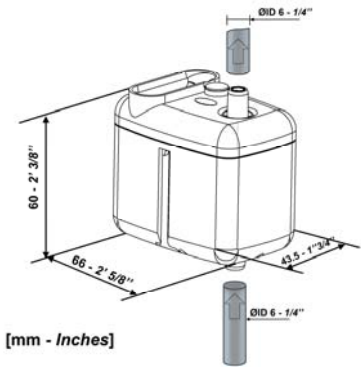


TECHNICAL CHARACTERISTICS

Max. flow rate	20 l/h
Max. suction head	3 m
Max. discharge head	10 m (flow rate= 4l/h)
Max pressure	14 m (flow rate = 0l/h)
Sound level at 1m according to EN ISO 3744 (Measured at LNE lab, pump operating with water, out of application)	20 dBA
Sound level in application at 1m: (Measured in Sauermann acoustic lab, pump operating with water)	≤ 27 dBA
Mains supply	230 V ~ 50/60 Hz - 14 W
Insulation class	☐ (double insulation)
Detection levels	ON: 16mm, OFF: 11mm, AL: 19mm
Safety switch	NF 8 A resistive - 250 V
Thermal protection (overheating)	90°C (auto-reset)
Intermittent operation cycle	30%: 3s ON – 7s OFF
Protection	IP20
Safety standards	CE
RoHS directive	Compliant
DEEE directive	Compliant
Packaging	0.38kg - L112 x W91 x H91 mm
Masterpack	25 pieces



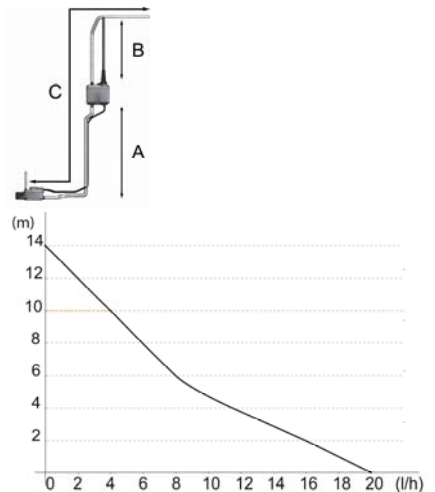
[mm - Inches]



[mm - Inches]

ACTUAL FLOW RATES (l/h)

		Total tube length (using 6 mm (1/4") hose) (C)			
Suction head (A)	Discharge head (B)	5 m	10 m	20 m	30 m
0 m	0 m	20	19	18	17
	2 m	16	15	14	13,5
	4 m	11,5	11	10,5	10
	6 m		8,5	7,5	6,5
	8 m		6	5	4
	10 m		4	3,5	2,5
1 m	0 m	14	13	12	11
	2 m	11	10	9	8
	4 m	7,5	7	6	5
	6 m		4,5	4	
2 m	0 m	11	10	9	8
	2 m	9	8	7	6
	4 m		5,5	5	4,5
3 m	0 m	10,5	9	8	7
	2 m	8	7	6	5
	4 m		5	4	



RECOMMENDED ACCESSORIES



ACC 00105, ACC 00150, ACC 00151
 Clear PVC hose, Ø 6mm ID (1/4")
 ACC 00105 : 5m
 ACC 00150 : 50m
 ACC 00151 : reinforced, 50m



ACC 00205
 6 self-sealing fittings
 Ø 6mm (1/4")



ACC 00214
 5 fittings to prevent siphoning